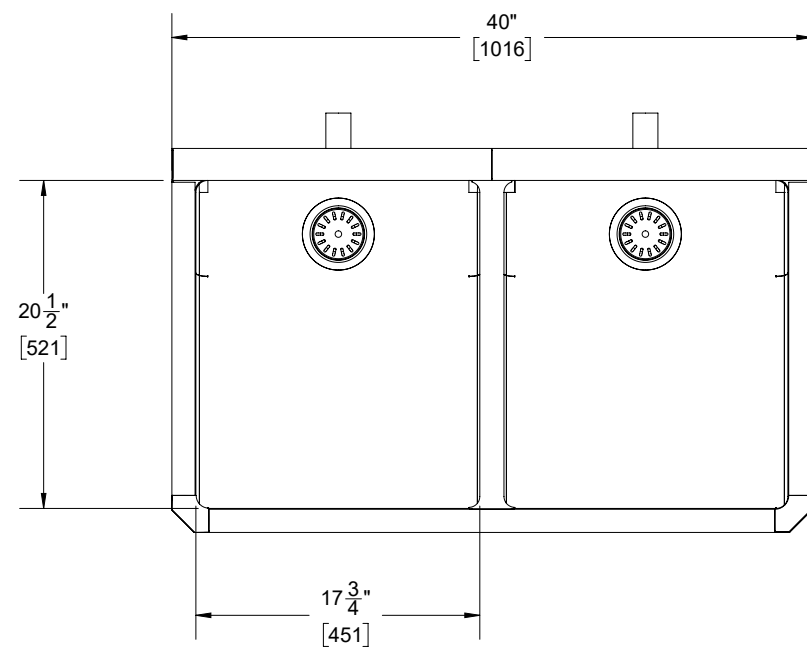
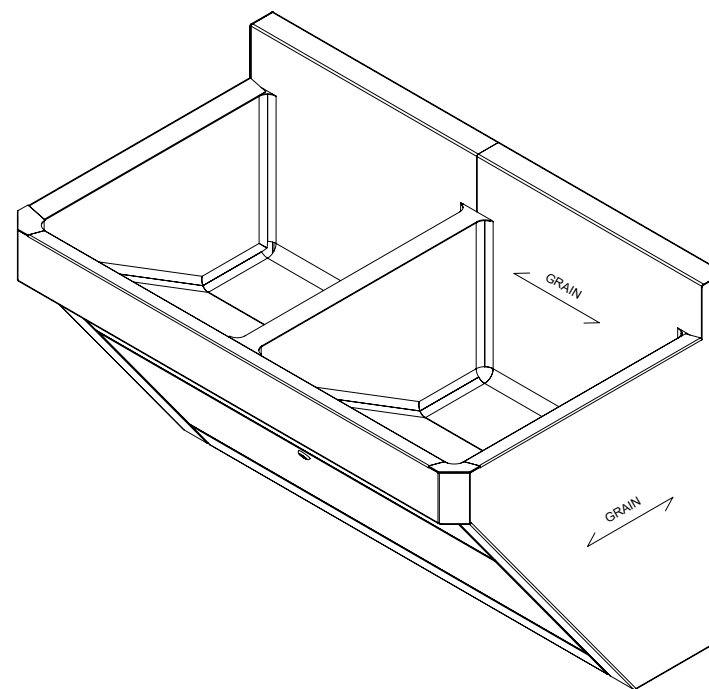


NOTES:

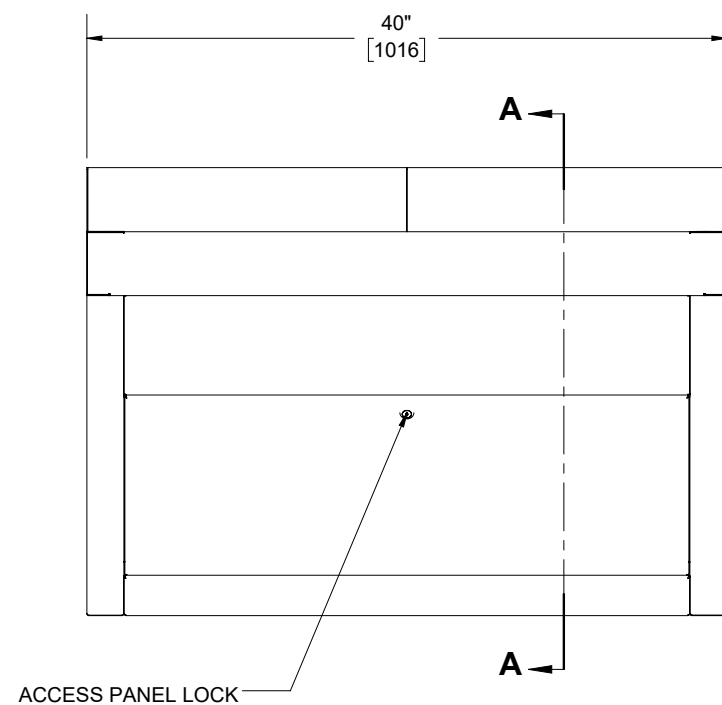
1. MATERIAL: 18Ga, 316SS
2. FINISH: #4 BRUSHED
3. TOTAL WEIGHT: 107.43 LBS



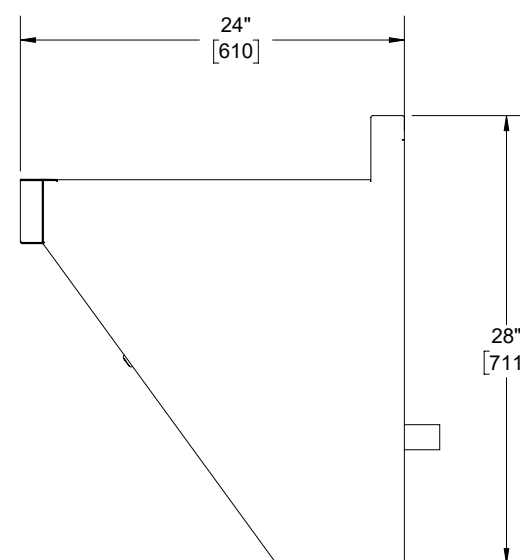
TOP VIEW



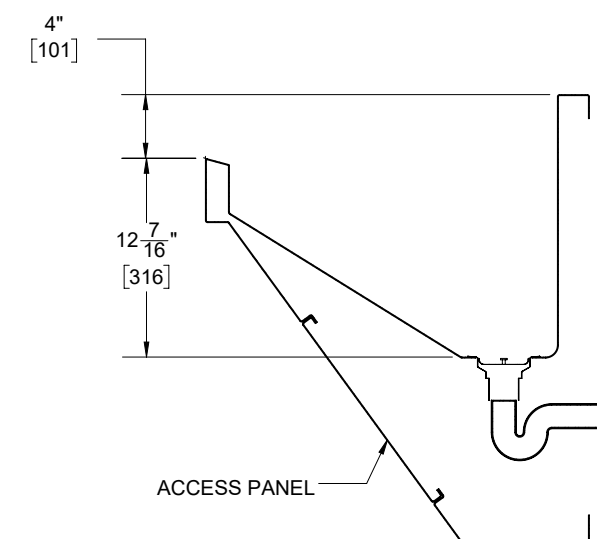
ISOMETRIC VIEW



FRONT VIEW



RIGHT VIEW



SECTION A-A

PROPRIETARY AND CONFIDENTIAL:
 THE INFORMATION CONTAINED IN THIS DRAWING IS THE SOLE PROPERTY OF REGGIN INDUSTRIES INC. ANY REPRODUCTION IN PART OR AS A WHOLE WITHOUT THE WRITTEN PERMISSION OF REGGIN INDUSTRIES IS PROHIBITED.

UNITS:
 ALL DIMENSIONS ARE SHOWN IN INCHES [MILLIMETERS]

TOLERANCES:
 (UNLESS OTHERWISE NOTED)

INCHES	METRIC
X.X ± .03"	X ± .5
X° ± 1	X° ± 1
X/X ± 1/32"	

SHEET SIZE
 17" x 11"

DRAWN BY:
 D. PORTERFIELD
DATE:
 2021-06-17

CLIENT:
 SALES SHEET

PROJECT:
 PRODUCT STANDARD

SCOPE ITEM:
 SCRUB SINK

DRAWING No.
 9001-3000-SS

SHEET TITLE:
 OVERVIEW

REVISION: 1 **SHEET No.** 1 of 1

REVISIONS			
REV.	DESCRIPTION	DATE	REVISED BY:
1	RELEASED FOR SALES	2021-06-17	B. KOSTKA

1